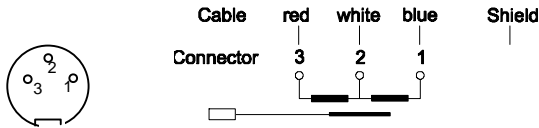


radial connector

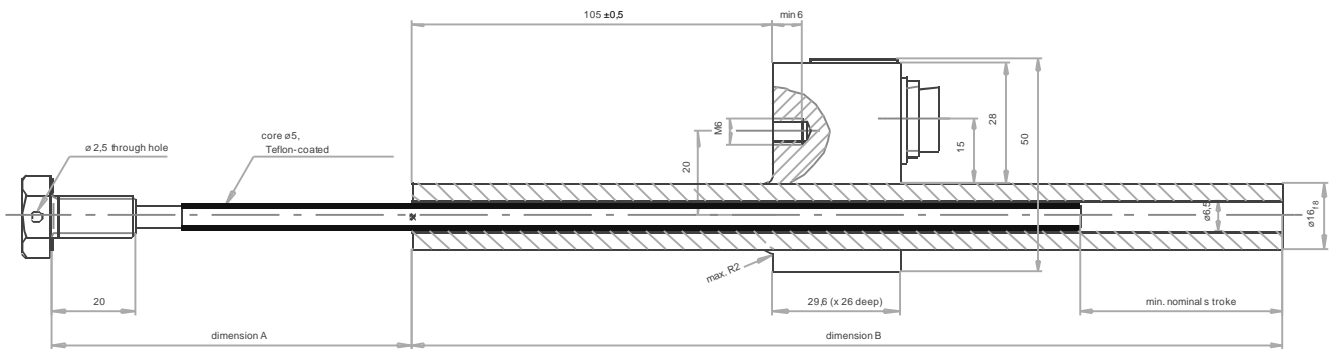
Connector: Amphenol C091 31W003 100 2 or compatible,
 mating connector: Amphenol C091 31D003 100 2 or compatible, fitted with 2 m shielded Teflon-cable

Connection:



Continuous core channel

Stainless steel case



WLU ... V			100	150	200	300	350
Nominal stroke	mm		±50	±75	±100	±150	±175
Maximum stroke	mm		±55	±82,5	±110	±158 ¹⁾	±185 ¹⁾
Dimension A	mm	±1	85	110	135	185	210
Dimension B	mm	±1	245	355	455	675	780
Transducer weight	g	approx.	380	480	580	780	880
Core weight	g	approx.	60	76	93	130	150
Nominal output	mV/V	±10%	314	325	340	322	322
Sensitivity	mV/V/mm		6,3	4,33	3,4	2,15	1,84
Impedance (coil with core inserted)	Ohm	±100	600				
Excitation	V eff	max.	22				
Carrier frequency	kHz		3				
Linearity over nominal stroke		max.	±1,0% F.S.O.				
Linearity over maximum stroke		max.	±1,5% F.S.O.				
Operating temperature			-50°C ... 120°C, shortly up to 150 °C				
Protection class			IP 65				

1) limited by required dimension A