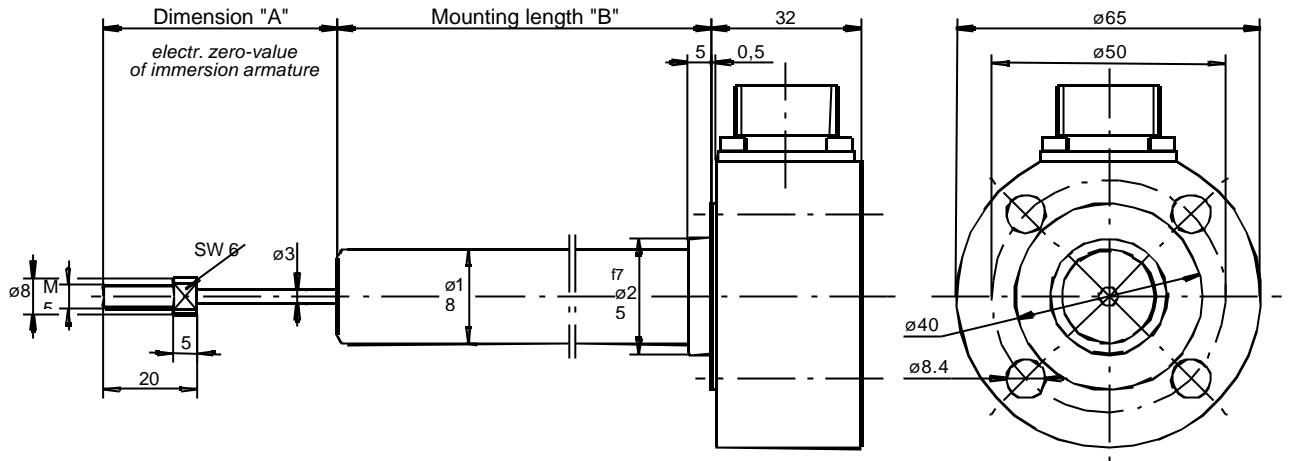


Inductive Bulb Transducer

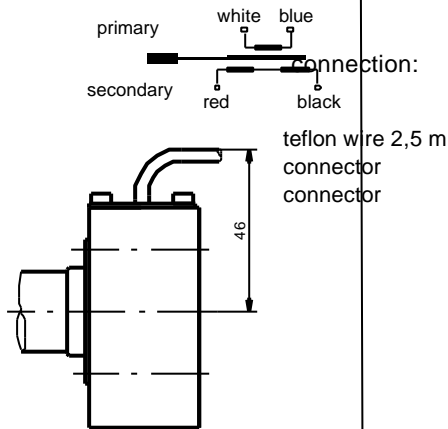
for cylinder mounting in hydraulics and pneumatics

DPU (pressure proof up to 200 bar)

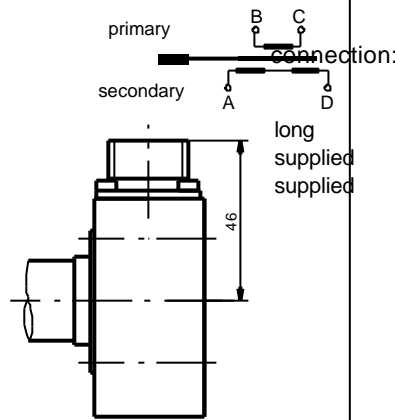
MESSOTRON



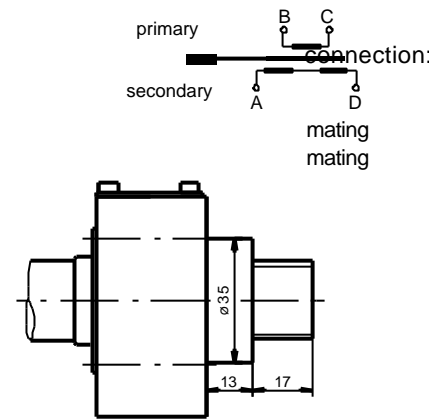
radial wire interface



radial connector interface



axial connector interface



Example: DPU 100 Q 0,5%

Example: DPU 100 R 0,25%

Example:

		DPU 25	DPU 50	DPU 100	DPU 150	DPU 200	DPU 250	DPU 300
Electrical stroke	mm	±12,5	±25	±50	±75	±100	±125	±150
Max. mechanical stroke	mm	30	55	105	160	210	260	320
Dimension A	mm	40	55	80	105	130	155	180
Mounting length B	mm	60	100	140	220	300	380	480
Transducer weight	g	950	1000	1050	1150	1300	1400	1550
Plunger weight	g	12	14	16	20	25	28	30
Excitation frequency *)		5 kHz option: 10 kHz						
Output signal (5 kHz) (approx.)	mV/V	100	110	140	125	130	135	140
Output signal (10 kHz) (approx.)	mV/V	100	100	135	140	140	160	210
Excitation voltage		1 ... 5 Veff						
Recommended amplifier		MBI 46.31						
Linearity *)		±0.5% F.S.O. option: ±0.25%						
Temperature coefficient of zero		±0.04% / 10K						
Temperature coefficient of span		±0.1% / 10K						
Pressure resistance		Operating pressure 200 bar; test pressure 300 bar						
Operational temperature *)		-40°C ... +80°C, option: up to 120°C						
Protection class (DIN 40050)		IP 65						

*) select option when ordering

MESSOTRON
Hennig GmbH & Co. KG
Industrie-Messtechnik
Friedr.-Evert-Str. 37, Tel.: (08257) 82331
D-64342 Seeheim-Jugenheim

DPU Series
25 ... 1000 mm

Drawing
28.25.03

Page 1

Stand 03/94

Previous issue 28.25.01/02

Design of transducers can be customised

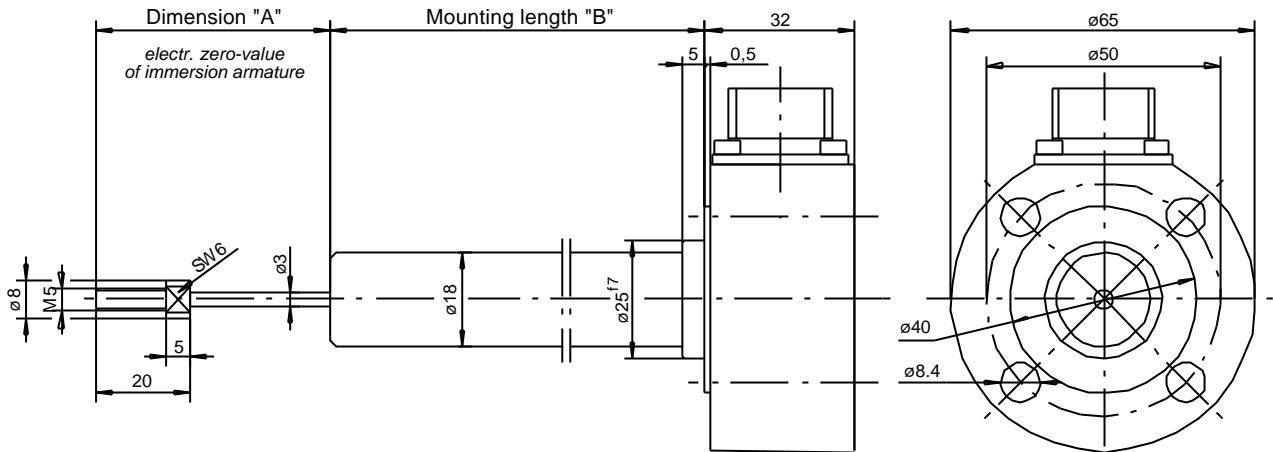
subject to change without prior notice

Inductive Bulb Transducer

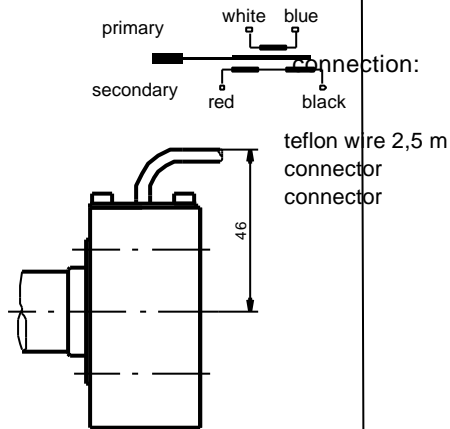
for cylinder mounting in hydraulics and pneumatics

DPU (pressure proof up to 200 bar)

MESSOTRON

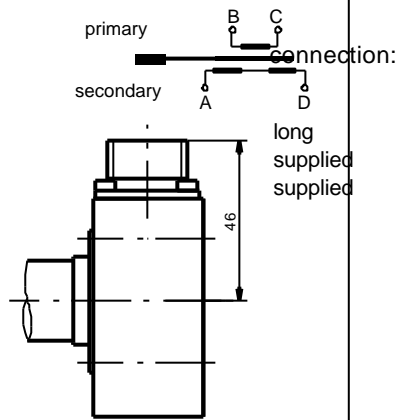


radial wire interface



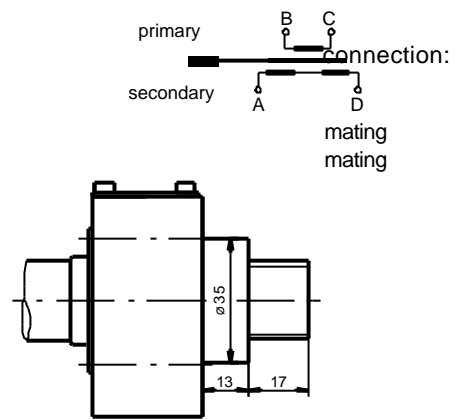
Example: DPU 400 Q 0,5%

radial connector interface



Example: DPU 400 R 0,25%

axial connector interface



Example: DPU 4

		DPU 400	DPU 500	DPU 600	DPU 800	DPU 1000
Electrical stroke	mm	±200	±250	±300	±400	±500
Max. mechanical stroke	mm	420	520	630	830	1030
Dimension A	mm	230	280	340	440	540
Mounting length B	mm	600	730	860	1120	1400
Transducer weight	g	1750	1900	2100	2500	2900
Plunger weight	g	35	40	50	65	80
Excitation frequency *)		5 kHz option: 10 kHz		5 kHz		
Output signal (5 kHz) (approx.)	mV/V	150	160	175	175	175
Output signal (10 kHz) (approx.)	mV/V	210	250	---	---	---
Excitation voltage		1 ... 5 V _{eff}				
Recommended amplifier		MBI 46.31				
Linearity *)		±0.5% F.S.O. option: ±0.25%				
Temperature coefficient of zero		±0.04% / 10K				
Temperature coefficient of span		±0.1% / 10K				
Pressure resistance		operating pressure 200 bar; test pressure 300 bar				
Operational temperature *)		-40°C ... +80°C, option: up to 120°C				
Protection class (DIN 40050)		IP 65				

*) select option when ordering

MESSOTRON
 Hennig GmbH & Co. KG
 Industrie-Messtechnik
 Friedr.-Evert-Str. 37, Tel.: (06257) 82331
 D-64342 Seeheim-Jugenheim

DPU Series
 25 ... 1000 mm

Drawing
 28.25.03
 Page 2

Date 03/94
 Previous issue 28.25.01/02