

Inductive Displacement Transducer

Integrated electronics

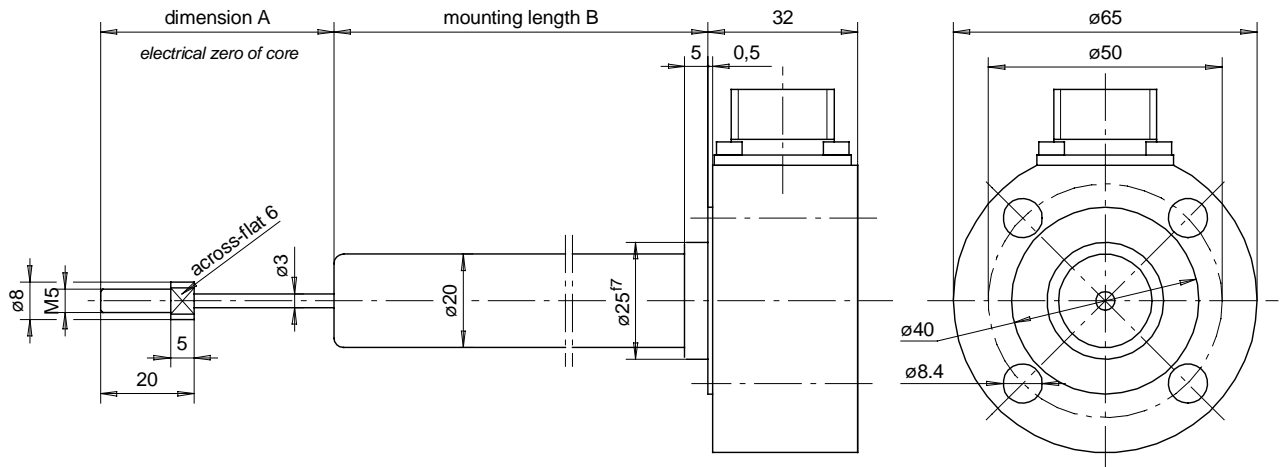
Supply +20...30 VDC

Output 4...20 mA

Pressure resistant up to 320 bar

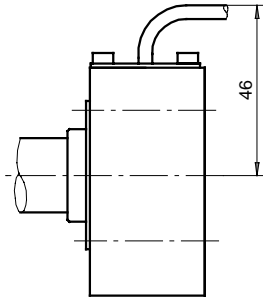
DOI
2-wire-interface

MESSOTRON



radial wire interface

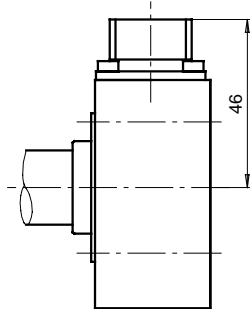
teflon wire 2,5 m long



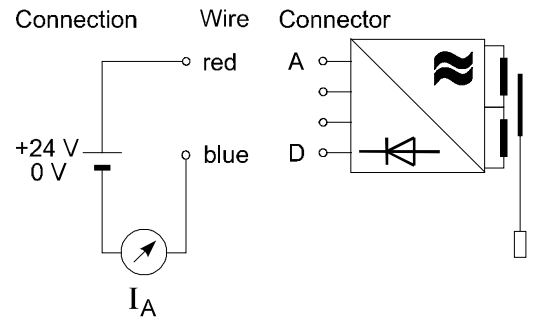
Example: DOI 100 Q 0,5%

radial connector interface

mating connector supplied



Example: DOI 100 R 0,25%



		DOI 25	DOI 50	DOI 100	DOI 150	DOI 200	DOI 250	DOI 300
Electrical stroke	mm	±12,5	±25	±50	±75	±100	±125	±150
Max. mechanical stroke	mm	30	55	105	160	210	260	320
Dimension A	mm	40	55	80	105	130	155	180
Mounting length B	mm	60	100	140	220	300	380	480
Transducer weight	g	1000	1050	1100	1200	1350	1450	1600
Core weight	g	12	14	16	20	25	28	30
Supply	20 ... 30 V / 40 mA, stabilized							
Output signal	4 ... 20 mA							
Allowable load	max. 400 Ohm							
Static resolution	virtually infinite							
Cut-off frequency	100 Hz							
Linearity *)	±0.5% F.S.O. option: ±0.25%							
Temperature coefficient of zero	±0.1% / 10K							
Temperature coefficient of span	±0.2% / 10K							
Pressure resistance	operation pressure 320 bar, test pressure 450 bar							
Operational temperature	0°C ... +60°C							
Protection class (DIN 40050)	IP 65							

*) select option when ordering

MESSOTRON
Hennig GmbH & Co. KG
Industrie-Messtechnik
Friedr.-Ebert-Str. 37, Tel.: (06257)82331
D-64342 Seeheim-Jugenheim

DOI Series
25 ... 1000 mm

Drawing
58.24.00
Page 1

Date 07/99

Design of transducers can be customised

Subject to alteration
09/99

Inductive Displacement Transducer

Integrated electronics

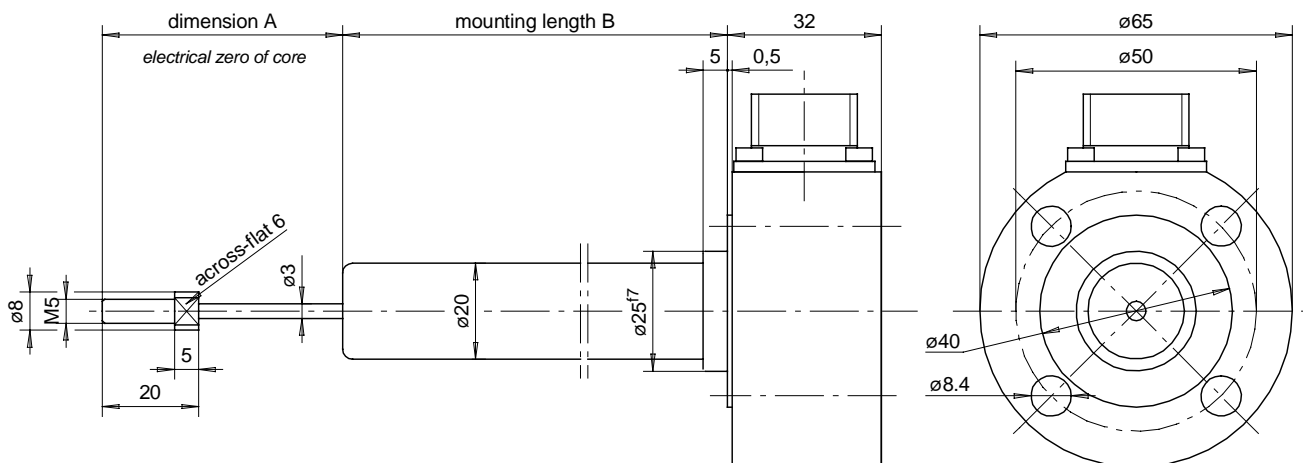
Supply +20...30 VDC

Output 4...20 mA

Pressure resistant up to 320 bar

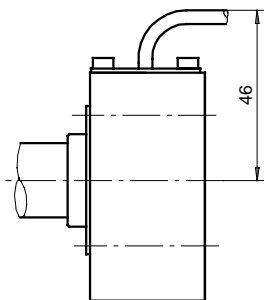
DOI
2-wire-interface

MESSOTRON



radial wire interface

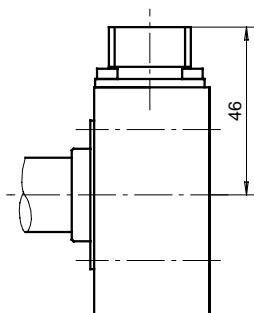
teflon wirel 2.5 m long



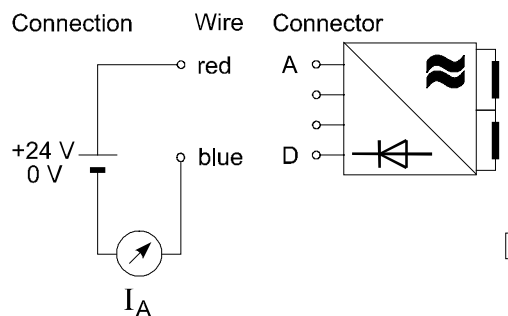
Example: DOI 500 Q 0,5%

radial connector interface

mating connector supplied



Example: DOI 500 R 0,25%



		DOI 400	DOI 500	DOI 600	DOI 800	DOI 1000
Electrical stroke	mm	±200	±250	±300	±400	±500
Max. mechanical stroke	mm	420	520	630	830	1030
Dimension A	mm	230	280	340	440	540
Mounting length B	mm	600	730	860	1120	1400
Transducer weight	g	1800	2000	2200	2600	3000
Core weight	g	35	40	50	65	80
Supply	20 ... 30 V / 40 mA, stabilized					
Output signal	4 ... 20 mA					
Allowable load	max. 400 Ohm					
Static resolution	virtually infinite					
Cut-off frequency	100 Hz					
Linearity *)	±0.5% F.S.O. option: ±0.25%					
Temperature coefficient of zero	±0.1% / 10K					
Temperature coefficient of span	±0.2% / 10K					
Pressure resistance	operation pressure 320 bar, test pressure 450 bar					
Operational temperature	0°C ... +60°C					
Protection class (DIN 40050)	IP 65					

*) select option when ordering

MESSOTRON
Hennig GmbH & Co. KG
Industrie-Messtechnik
Friedr.-Ebert-Str. 37, Tel.: (06257)82331
D-64342 Seeheim-Jugenheim

DOI Series
25 ... 1000 mm

Drawing
58.24.00
Page2

Date 07/99